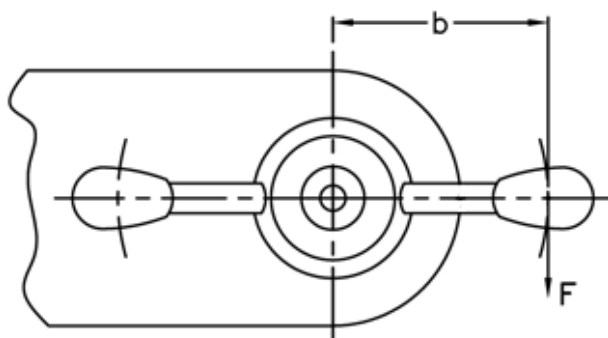
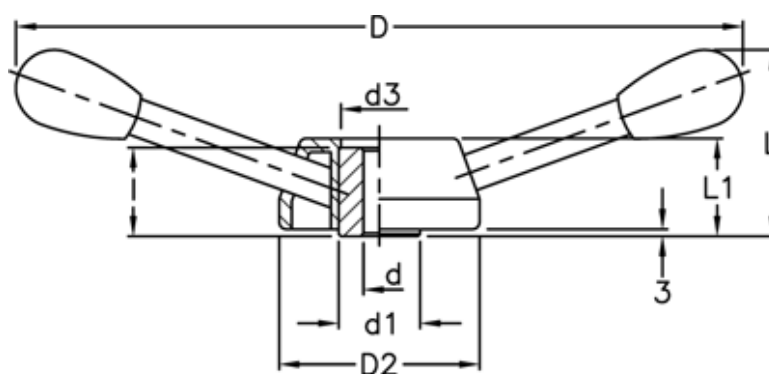


Article number: 2301065821

Description: E+G Handwheel  
VBR.2/320

## Measures



$$C[\text{N}\cdot\text{m}] = F[\text{N}] \cdot b[\text{m}]$$

C (N m) = 195

L1 = 42

D = 312

d1 = 35

D2 = 86

d3 = 34

d H9 = 10

l = 38

L = 80